

R2 Quick Start Guide

Version 2.0

2015-10-14

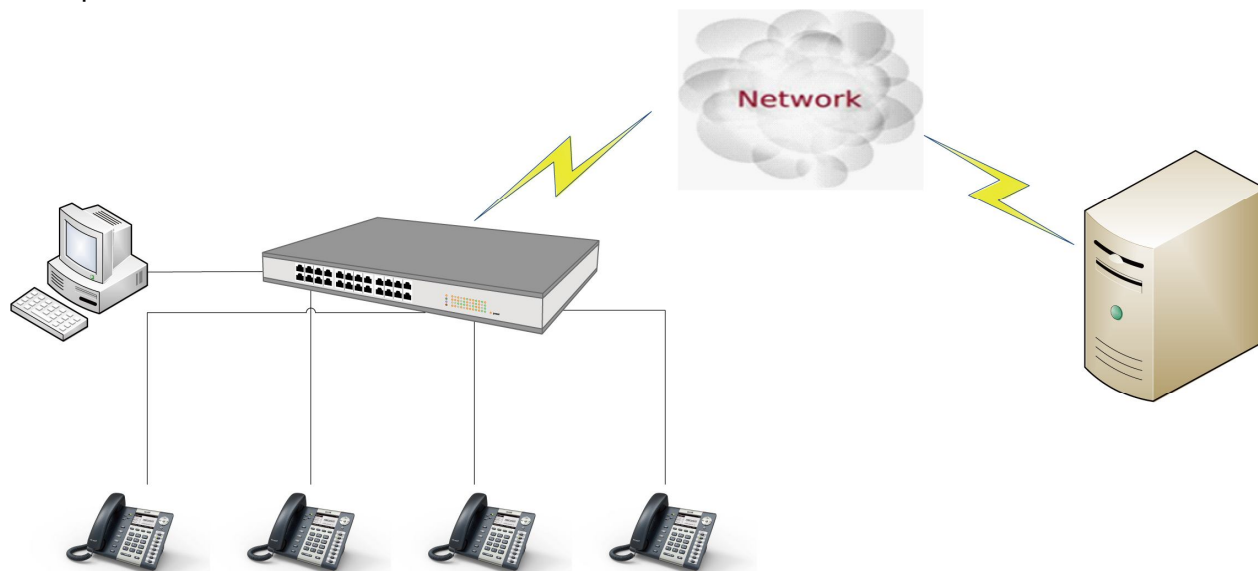
Content

1. Installation and access.....	3
1.1 Connection	3
1.2 Stand bracket installation instruction	3
2. Configuring phone.....	8
2.1 Configuring via keypad.....	9
2.2 Configuring via webpage	10
2.2.1 Login to web	10
2.2.2 Configure phone to register SIP account.....	10

1. Installation and access

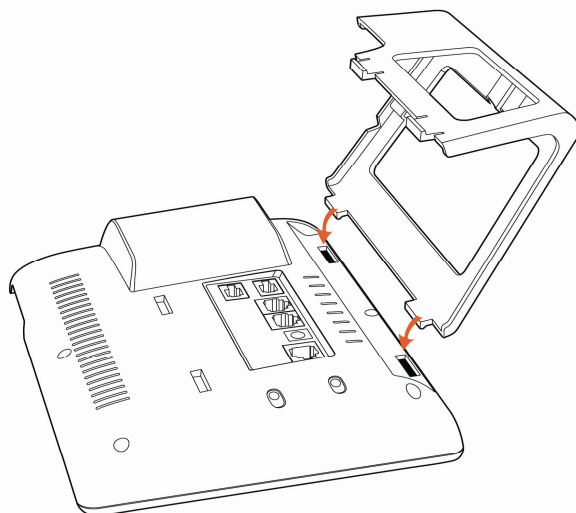
1.1 Connection

Set up R2 as below:

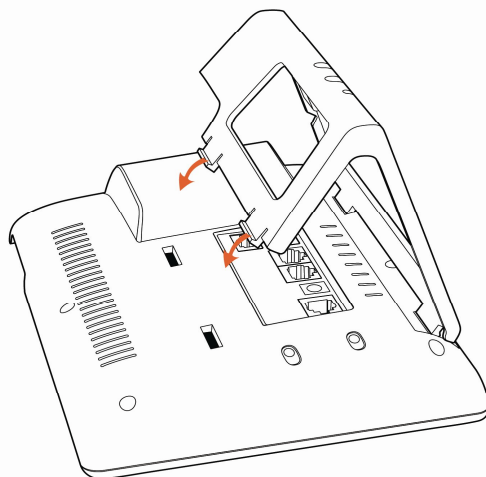


1.2 Stand bracket installation instruction

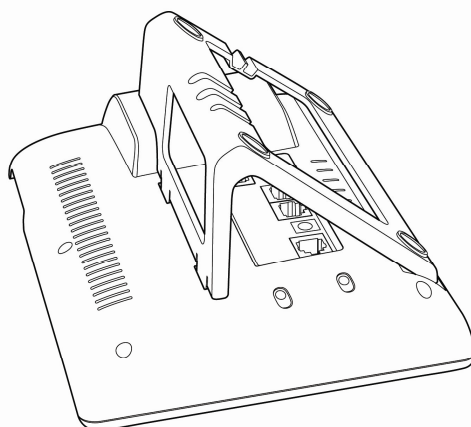
A. Put the bottom side of the IP phone upside and press one-side joints of stand bracket into the slot, please refer the picture as below:



B. Press the other side joints into the slot according to the direction of the arrow:

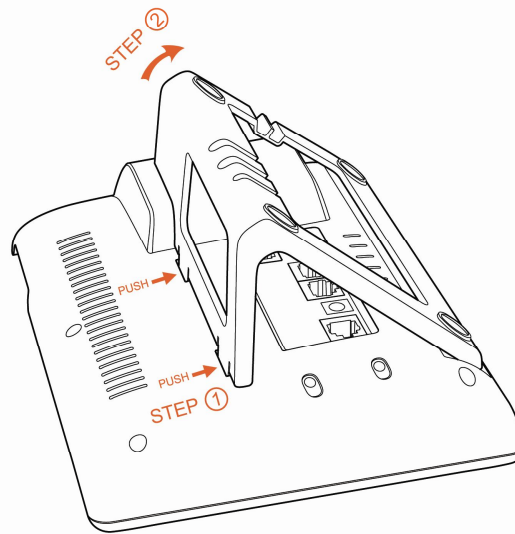


C. It is the right picture after fixing the stand bracket below:

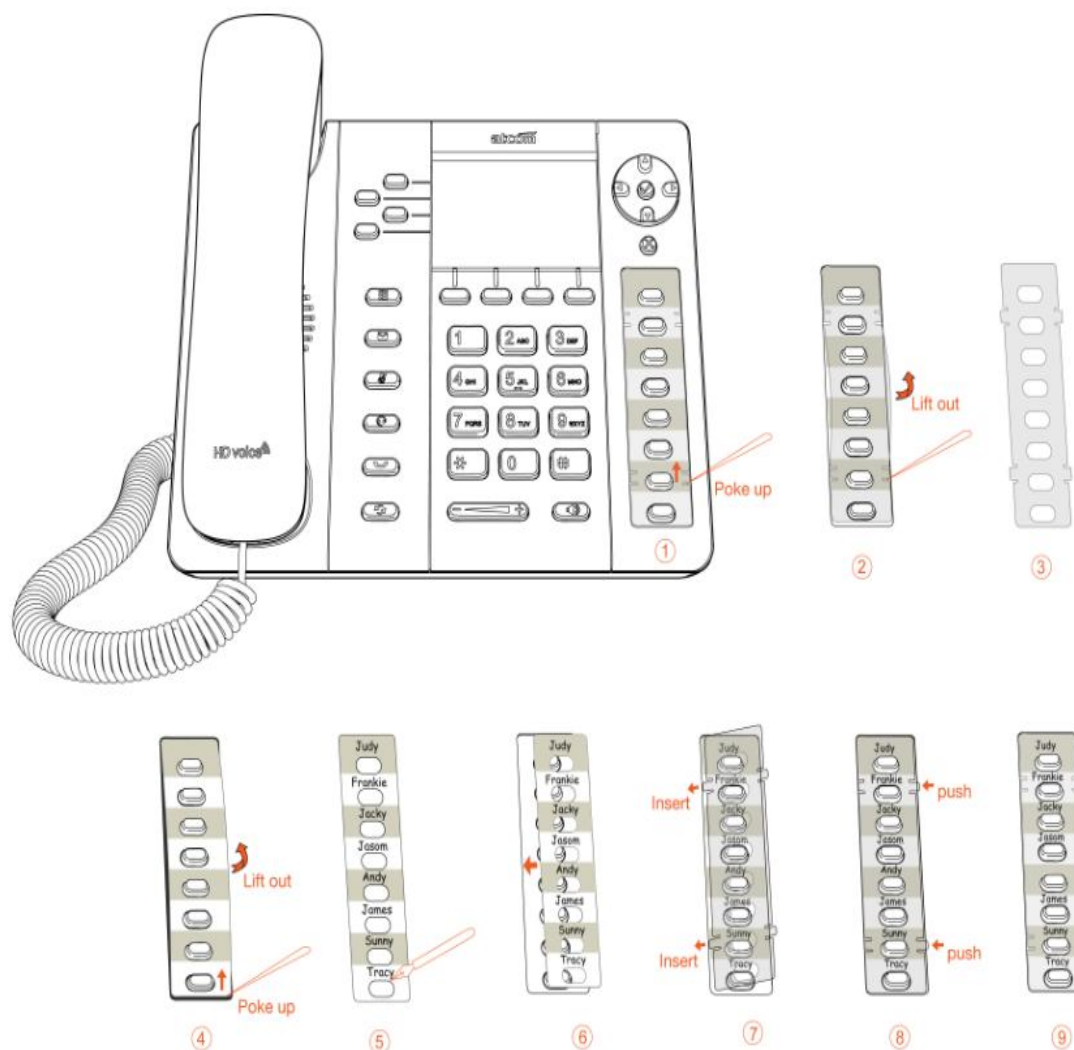


D. Disassemble the stand bracket:

Push the spring joint of stand and pull the stand according to the direction of the arrow. When the joints are pulled out of the slot, you can take off the stand bracket



1.3 Programmable keys' paster using instruction



Step1. Use needle or some other tools to insert into the hole of the plastic sheet, hog the plastic sheet.

Step2. Lift out the plastic sheet

Step3. Take off the plastic sheet

Step4. Use needle or some other tools to insert into the edge of the paster, hog and lift out the paster

Step5. Write down the identification of each programmable key on the paster after taking off the paster

Step6. Put back the paster

Step7. Insert the plastic sheet into the slot

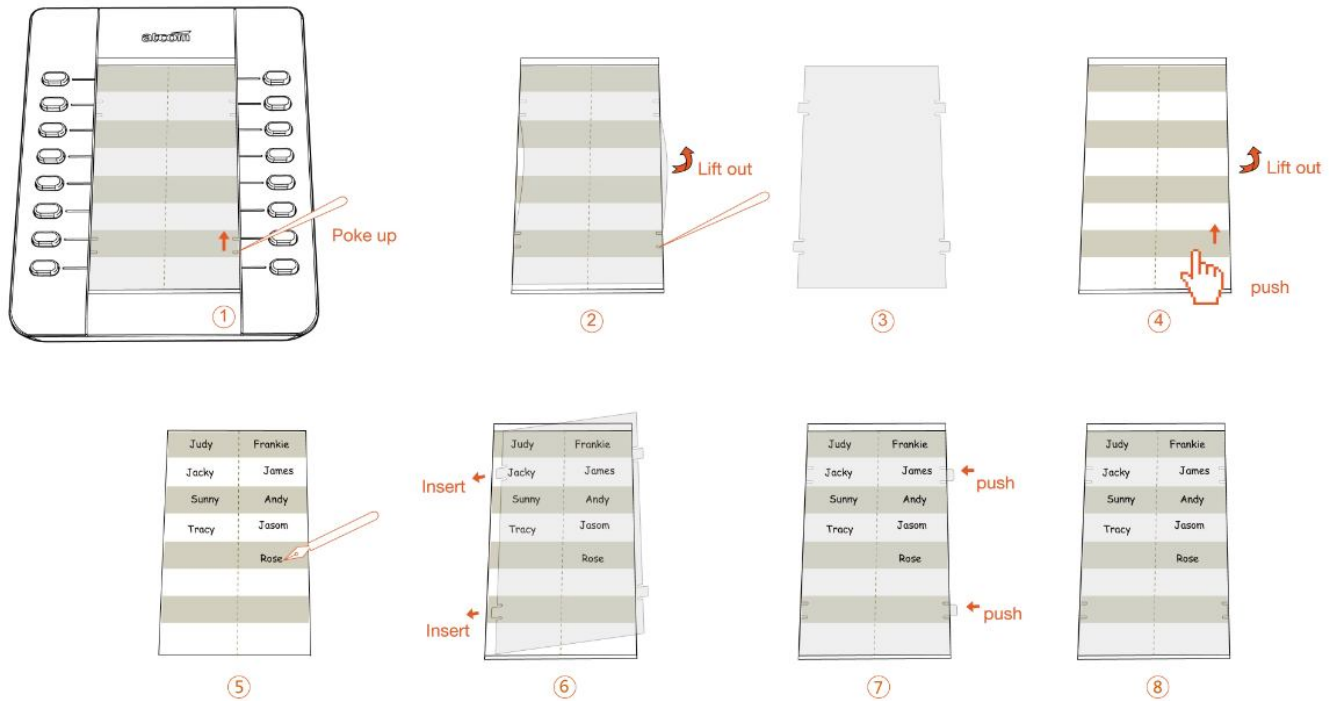
Step8. Push the other side of the plastic sheet into the other slot

R2 Quick Start Guide



Rainbow E's paster using instruction

Steps to use Rainbow E's paster are the same as programmable keys' as below:



2. Configuring phone



Rainbow 2



Rainbow 2 with Rainbow E

R2 Quick Start Guide

2.1 Configuring via keypad

Language Setting: The default language of the phone is English, it supports Chinese, Russian, Arabic, German, French, Portuguese, Turkish, Spanish, Hebrew, Hungarian, Italian.

Press Menu- input default password 123- Preference- Language to edit the language list, choose the one you'd like to set on the phone.

Note: The available language maybe different, it depends on the language packs currently loaded to the IP phone.

Network Setting:

Press Menu- input default password 123- Network- modify connect type mode/ check IP address/VLAN/Web server to enter the internet related configuration page.

Or review its current IP address by pressing  key when it is powered on and connected to the network.

Account Setting:

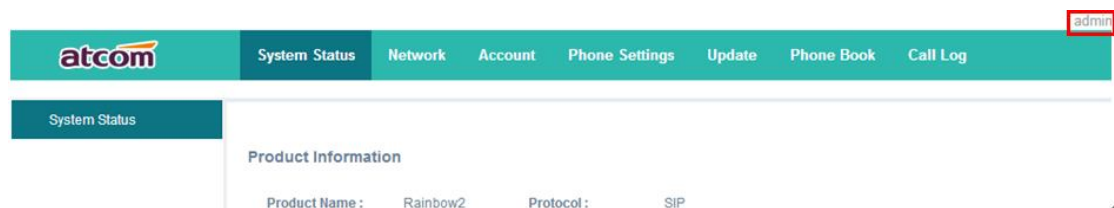
Press Menu- input default password 123- SIP Account- Enter to configure the account setting. You can refer to the bellow 'Configuring via Web page' for the parameter details.

2.2 Configuring via Webpage

2.2.1 Login to web

Modify your computer's IP address to the same network as R2. Enter R2's IP address in the web browser and press Enter, you will access to R2's user webpage without password.

Click "admin" which is on the right corner to enter administrator webpage.



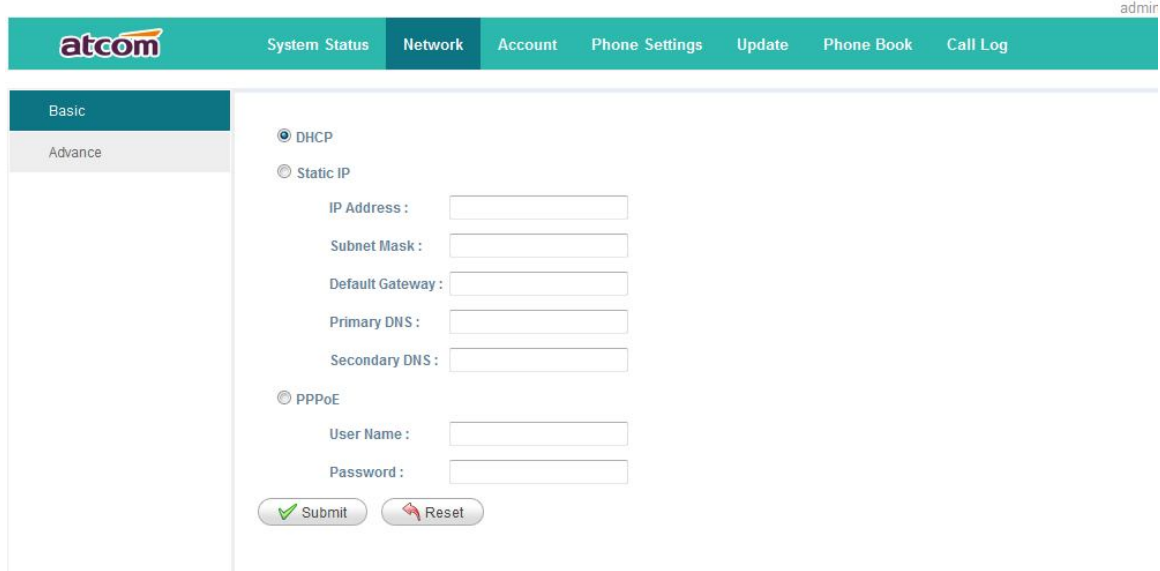
2.2.2 Configure phone to register SIP account

a) Network Configuration

LAN Port Configuration

Enter "Network" -> "Basic" page.

There are 3 ways to connect to internet DHCP, Static and PPPoE, please choose one according to your own situation.



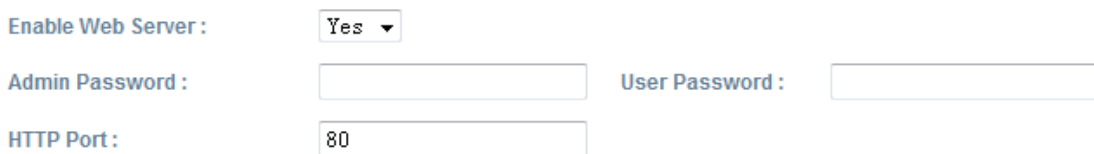
- ✓ Network mode: you can choose DHCP, Static and PPPoE
- ✓ DHCP: R2 default to use DHCP to obtain IP from DHCP Server.
- ✓ Static: If you want to set the IP as static, you should fill IP, Netmask, Gateway and DNS information.
- ✓ PPPoE: If R2 is connected to the modem, you should fill ADSL account and password which are assigned by your network service provider.

Password Configuration

Enter "Network" -> "Advance" page.

There are 2 modes to set the authority of web accessing and command line: User mode and Admin mode. All the parameters can be visible and changed in Admin mode while part of them can be visible in User mode.

Web Server



- ✓ Enable Web Server: enable or disable web access. If choose "no", you can not access R2's webpage.
- ✓ Admin password: set admin webpage access password.(username:admin)
- ✓ User password: set user webpage access password.(username:user)

b) Account Configuration

Enter "Account" -> "SIP" page to configure SIP account which is provided from the SIP Server.

SIP

Enable :	<input type="text" value="Yes"/>	User ID :	<input type="text"/>
Display Name :	<input type="text"/>	Password :	<input type="text"/>
Authenticate ID :	<input type="text"/>	SIP Server :	<input type="text"/>
SIP Server :	<input type="text"/>	SIP Port :	<input type="text" value="5060"/>
SIP Redundancy Server :	<input type="text"/>		
Use Outbound Proxy :	<input type="text" value="No"/>		
Outbound Proxy Server :	<input type="text"/>	Outbound Proxy Port :	<input type="text" value="5060"/>
Register Expires :	<input type="text" value="300"/>	Subscribe Expires :	<input type="text" value="3600"/>
Transport Type :	<input type="text" value="UDP"/>	SIP 100Rel Require :	<input type="text" value="No"/>
Session Timer Enable :	<input type="text" value="No"/>	Early Update Enable :	<input type="text" value="No"/>
Caller ID Display :	<input type="text" value="No"/>	AutoSubscribeMWIEnable :	<input type="text" value="No"/>
Server List :	<input type="text" value="Common"/>	Dns Mode :	<input type="text" value="A Record"/>
BLF List URI :	<input type="text"/>		

- ✓ Enable: whether enable this SIP register.
- ✓ Display Name: This name will display on the screen of R2. It will display the name configured for the SIP account by the SIP server preferentially. It can also be kept blank.
- ✓ User ID: Username of SIP account.
- ✓ Authenticate ID: normally is the same as User ID, can also be kept blank if there is no special requirement from the SIP server.
- ✓ Password: Password of SIP account.
- ✓ Sip Server: SIP server address, support both IP address and domain name.
- ✓ Sip Port: SIP server port, default is 5060.

After configured and clicked 'Submit' to enable register this account, please check the status of this account in System Status page. The Registration State will be registered if this account registered successfully.

atcom

System Status Network Account Phone Settings Update Phone Book Call Log

System Status

Product Information

Product Name :	Rainbow2	Protocol :	SIP
Software Version :	1.4.0	Hardware Version :	
Mac Address :	80:82:87:01:86:5A	Serial Number :	R2X140100023

Network Information

Type :	DHCP	Current IP :	172.16.0.116
Current Netmask :	255.255.255.0	Current Gateway :	172.16.0.1
Primary DNS :	202.96.134.133	Secondary DNS :	202.96.128.86
Host Name :		Domain :	
VPN State :	Disable	VPN IP :	

Account 1 Information

Registration State :	Registered	Proxy :	172.16.0.55
User ID :	5069	Message Waiting :	Yes
Last Registration At :	01/01/2000 00:00:00	Next Registration In :	300 s

Account 2 Information

Registration State :	Not registered	Proxy :	
User ID :		Message Waiting :	Yes
Last Registration At :		Next Registration In :	

Account 3 Information

Registration State :	Not registered	Proxy :	
----------------------	----------------	---------	--